









# ASSEMBLY INSTRUCTION

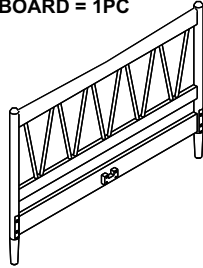
UTH20- 4'6" HIGH FOOT END BED

## HARDWARE LIST

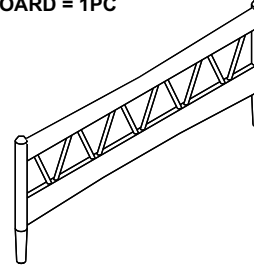
NO	HARDWARE NAME	IMAGE	QTY (PCS)
1	NUTS M8*13		8 PCS
2	HALF MOON WASHER M8		8 PCS
3	SPRING WASHER M8/Ø14		8 PCS
4	SPANNER 13		1 PCS
5	ALLEN KEY M4		1 PC
6	METAL THREAD M8*70		8 PCS
7	BOLT M6*35		1 PC
8	SCREW 4*30		28 PCS

## PART LIST

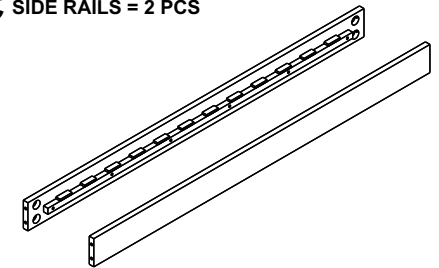
**A** HEADBOARD = 1PC



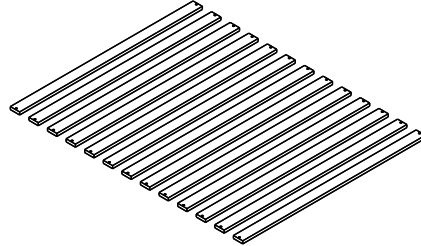
**B** FOOTBOARD = 1PC



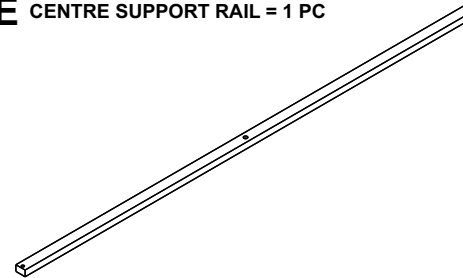
**C** SIDE RAILS = 2 PCS



**D** SLATS = 13 PCS



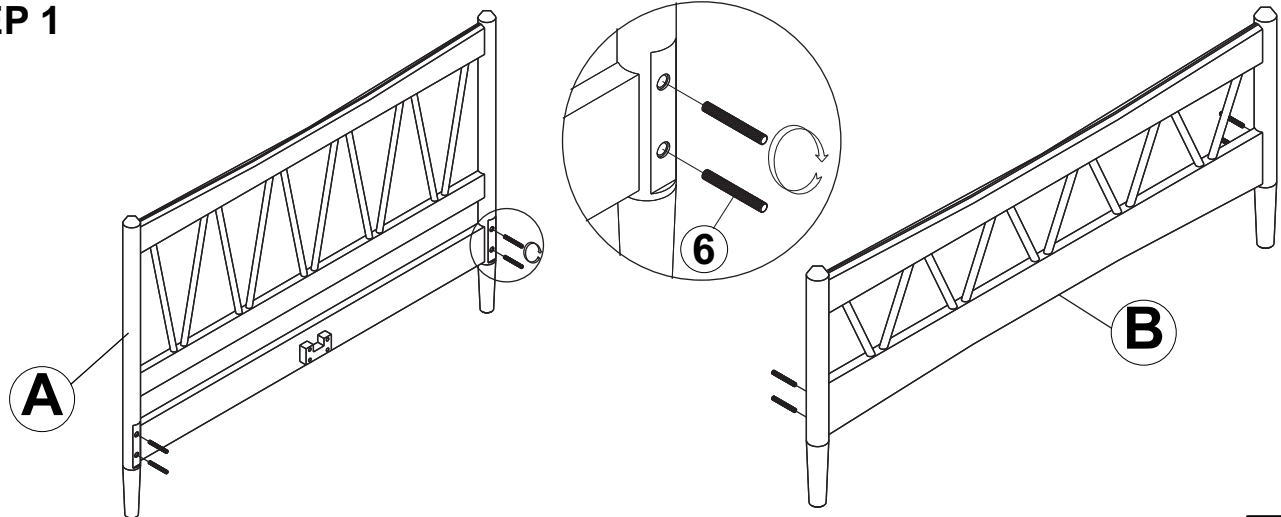
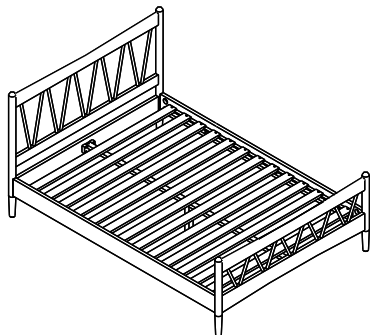
**E** CENTRE SUPPORT RAIL = 1 PC



**F** CENTRE LEGS = 1 PC



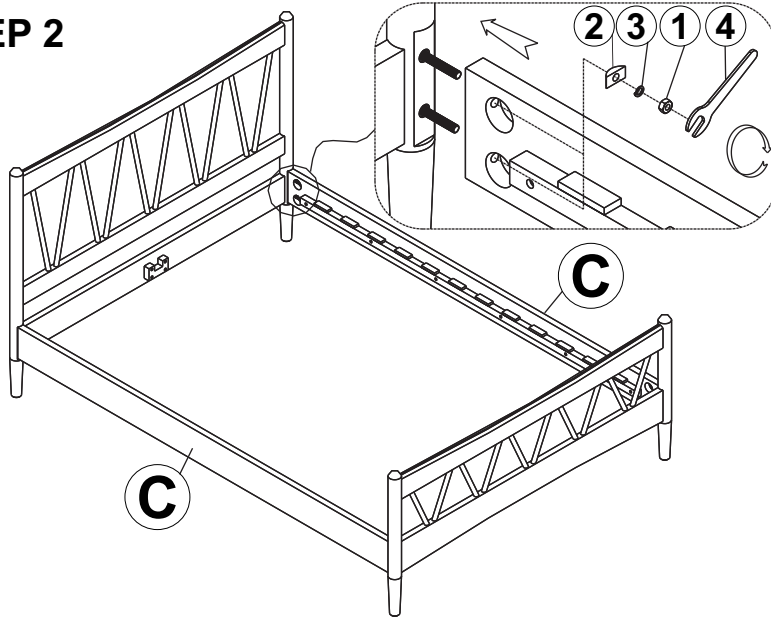
## STEP 1



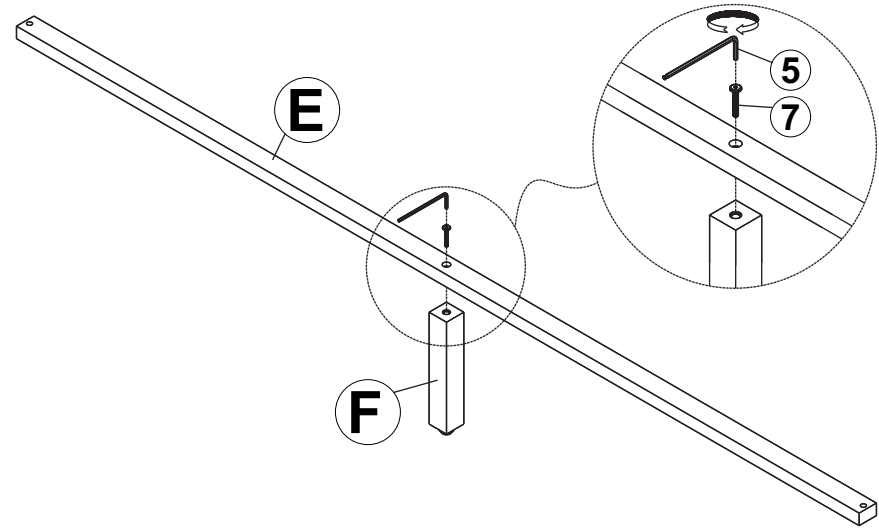
# ASSEMBLY INSTRUCTION

UTH20- 4'6" HIGH FOOT END BED

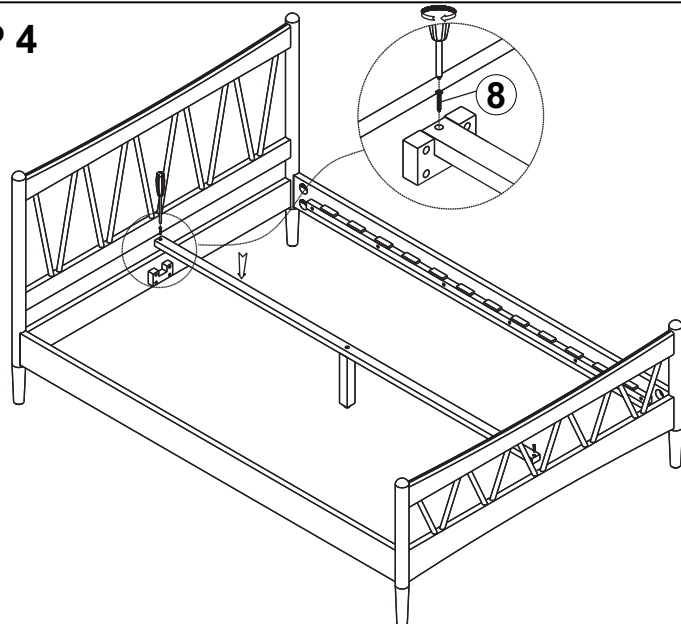
## STEP 2



## STEP 3



## STEP 4



## STEP 5

