



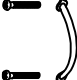



# ASSEMBLY INSTRUCTION

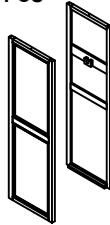
FRW1 - FULL LENGTH WADROBE

## HARDWARE LIST

NO	HARDWARE NAME	IMAGE	QTY (PCS)
1	BOLT M6*70		10 PCS
2	BOLT M6*30		24 PCS
3	BOLT M6*40		12 PCS
4	ALLENKEY M4		1 PC
5	HANDLE		2 PCS
6	FLAT WASHER		8 PCS

## PART LIST

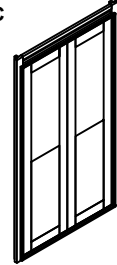
**A** SIDE FRAME = 2 PCS



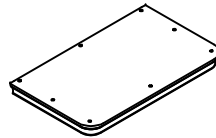
**B** BACK FRAME = 1 PC



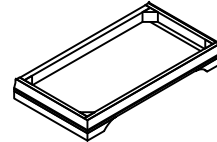
**C** FRONT FRAME = 1 PC



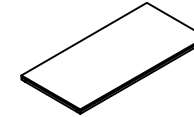
**D** TOP = 1 PC



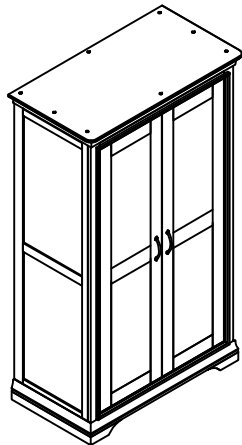
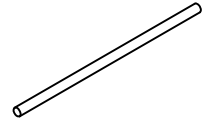
**E** BASE = 1 PC



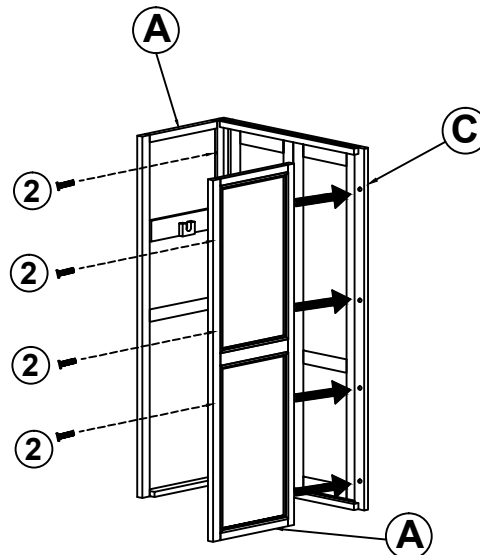
**F** BOTTOM PANEL = 1 PC



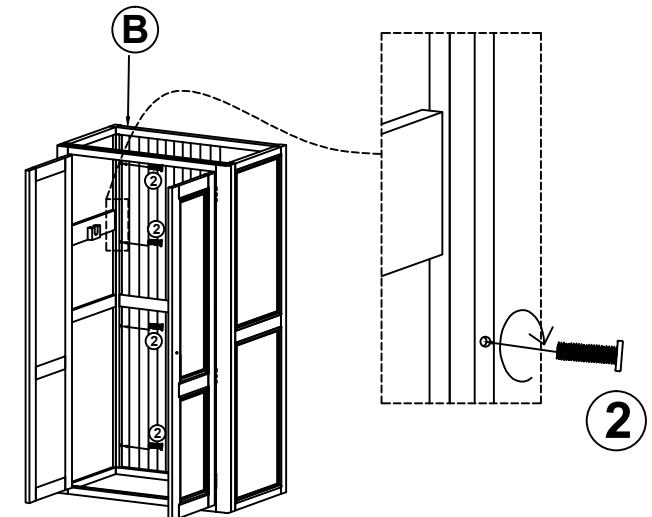
**G** HANGING = 1 PC



### STEP 1



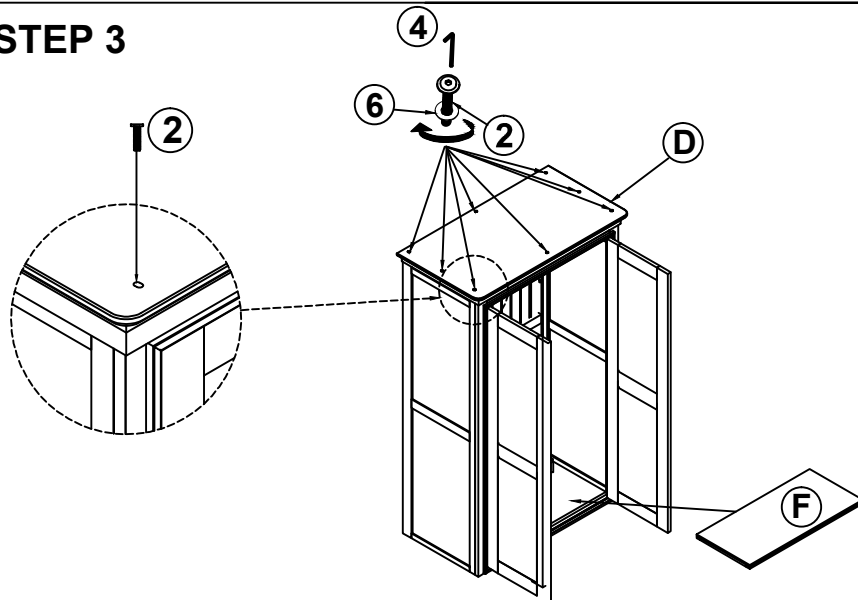
### STEP 2



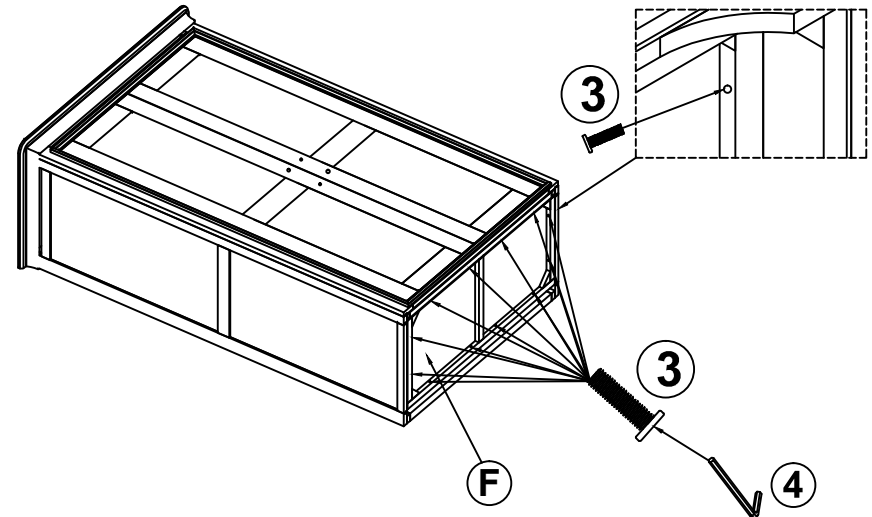
# ASSEMBLY INSTRUCTION

FRW1 - FULL LENGTH WARDROBE

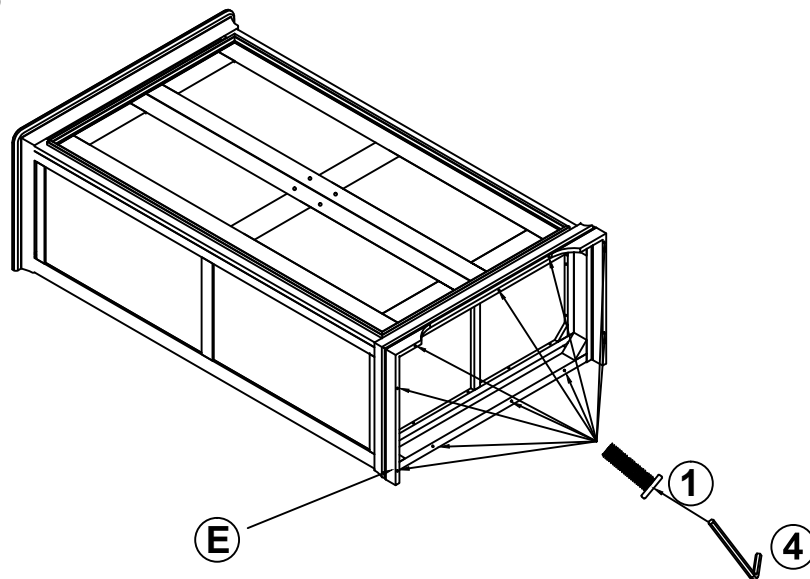
## STEP 3



## STEP 4



## STEP 5



## STEP 6

