










# ASSEMBLY INSTRUCTION

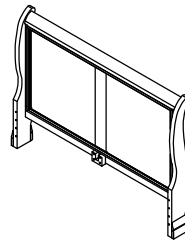
FRB50 - 5' HIGH FOOT END SLEIGH BED

## HARDWARE LIST

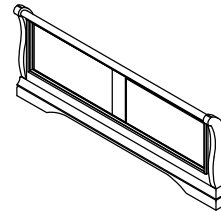
## PART LIST

NO	HARDWARE NAME	IMAGE	QTY (PCS)
1	NUTS M8*13		8 PCS
2	HALF MOON WASHER M8		8 PCS
3	SPRING WASHER M10		8 PCS
4	SPANNER 13		1 PCS
5	ALLEN KEY M4		1 PC
6	METAL THREAD M8*80		8 PCS
7	BOLT M6*40		2 PCS
8	WOODEN DOWEL		8 PCS
9	SCREW 4*30		26 PCS

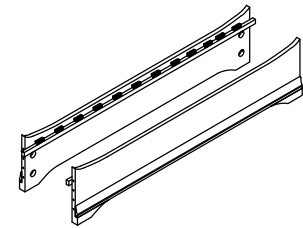
**A** HEADBOARD = 1 PC



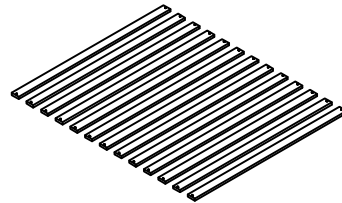
**B** FOOTBOARD = 1 PC



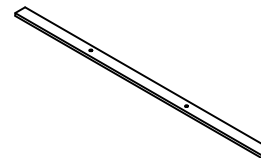
**C** SIDE RAILS = 2 PCS



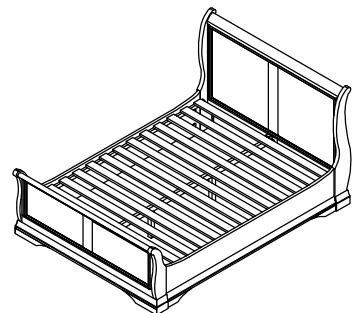
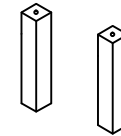
**D** SLATS = 13 PCS



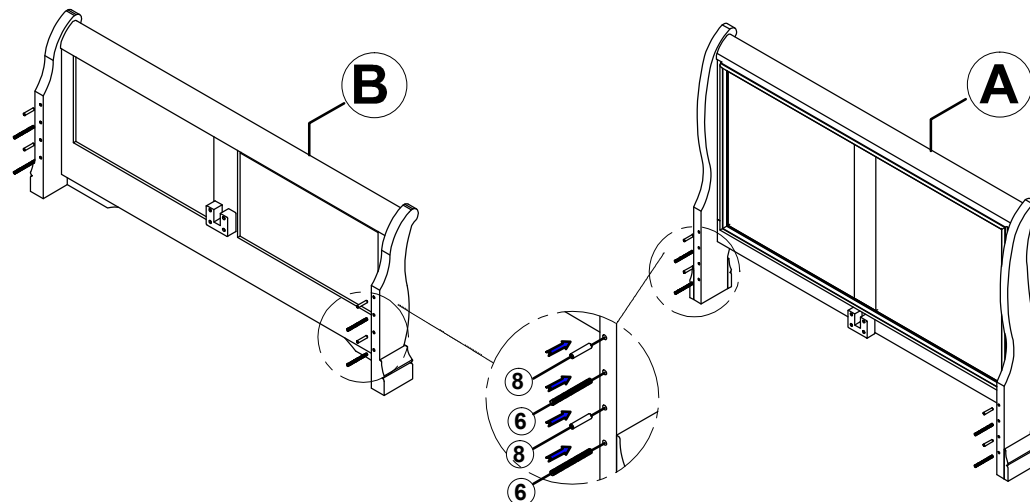
**E** CENTRE SUPPORT RAIL = 1 PC



**F** CENTRE LEGS = 2 PCS



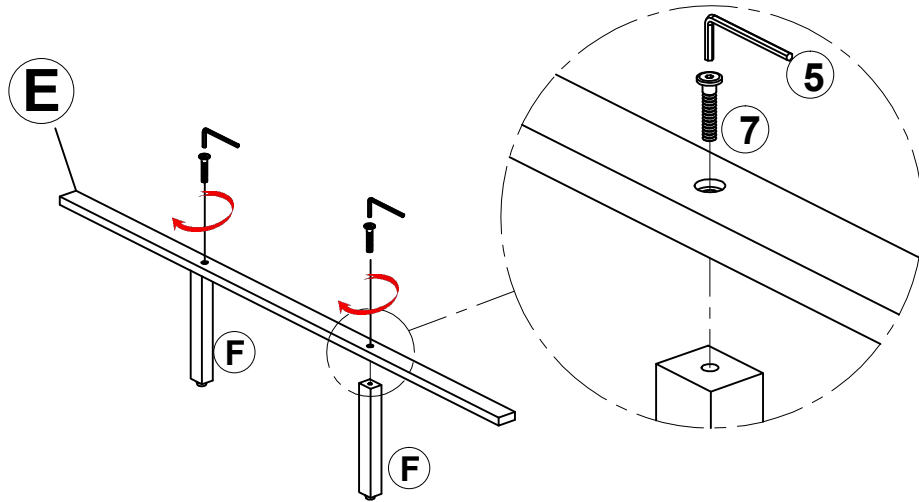
## STEP 1



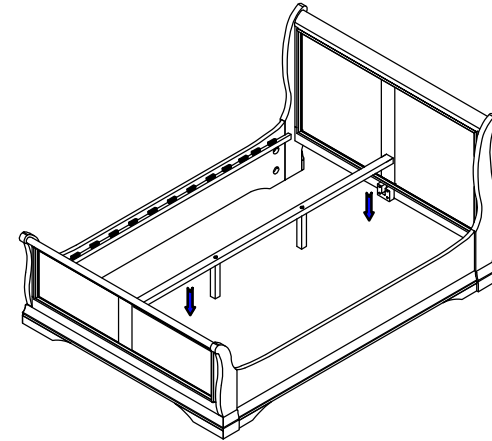
# ASSEMBLY INSTRUCTION

FRB50 - 5' HIGH FOOT END SLEIGH BED

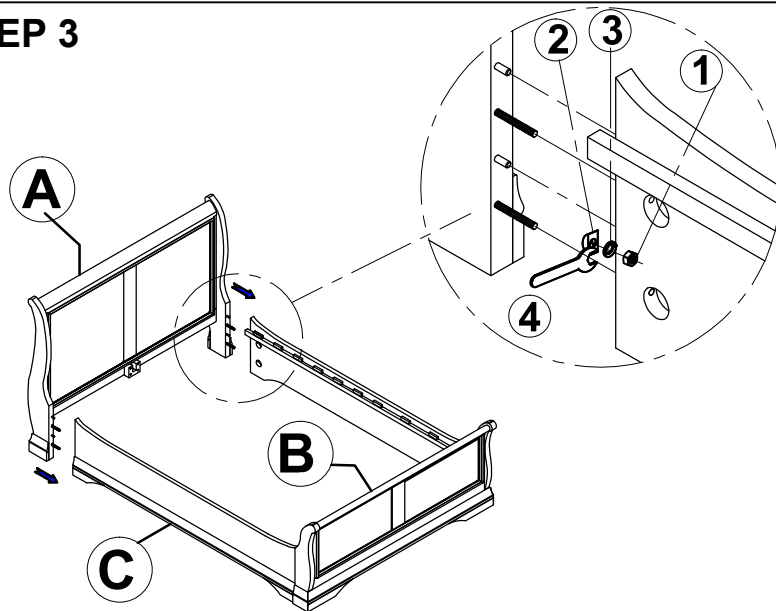
## STEP 2



## STEP 4



## STEP 3



## STEP 5

